

Gas Discharge Tube (GDT) Data Sheet

Features

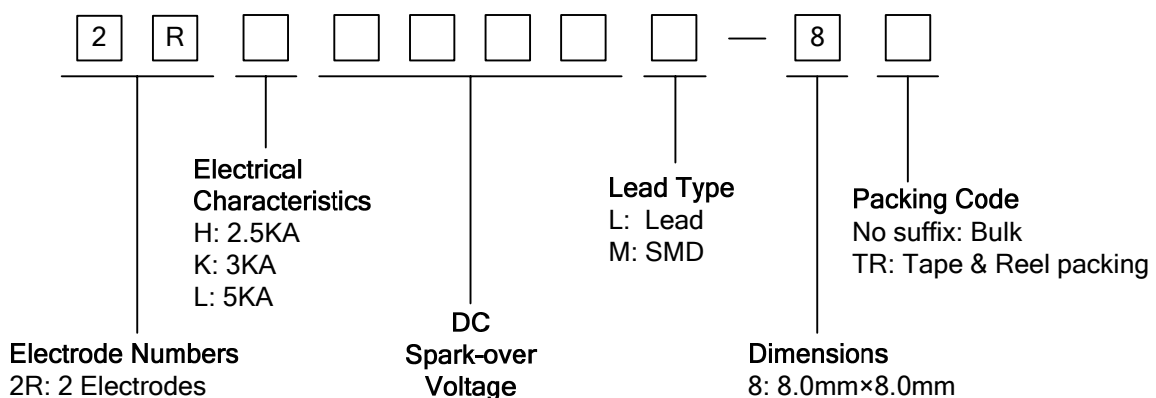
- Provide ultra-fast response to surge voltage from slow-rising surge of 100V/s to rapid-rising surge of 1KV/μs.
- Stable breakdown voltage.
- High insulation resistance.
- Low capacitance (≤1.5pF)
- High holdover voltage
- Large absorbing transient current capability.
- Micro-Gap Design
- Size: 8.0mm*8.0mm
- Storage and operating temperature: -40°C ~ +85°C
- Meets MSL level 1, per J-STD-020
- Safety certification: UL: E327997



Applications

- Repeaters, Modems.
- Telephone Interface, Line cards.
- Data communication equipment.
- Line test equipment

Part Number Code



Marking

B : BrightKing Logo
 2RL1000-8 : Device Marking Code
 YXXX : Date Code

Dimensions

L Type	Symbol	Dimension (mm)		
		Spec.	Tolerance	
	D	8.0	+0.3, -0.5	
	T	8.0	+0.6, -0.1	
	d	0.8	±0.1	
		1.0	±0.1	
	L	30.0	Max.	
M Type	<p style="text-align: center;">Recommended Pad Size</p>	D	8.0	+0.3, -0.5
		T	8.0	+0.6, -0.1
		B	1.1	±0.4

Electrical Characteristics

Part Number		DC Spark-over Voltage	Maximum Impulse Spark-over Voltage	Nominal Impulse Discharge Current	Alternating Discharge Current	Impulse Life	Minimum Insulation Resistance		Maximum Capacitance	Device Marking Code
							Test Voltage	(GΩ)		
							(V)	(pF)		
2RH1400L-8	2RH1400M-8	1400±20%	2200	2.5	2.5	100	500	1.0	1.5	2RH1400-8
2RH1600L-8	2RH1600M-8	1600±20%	2400	2.5	2.5	100	500	1.0	1.5	2RH1600-8
2RH2000L-8	2RH2000M-8	2000±20%	2800	2.5	2.5	100	500	1.0	1.5	2RH2000-8
2RH2500L-8	2RH2500M-8	2500±20%	3600	2.5	2.5	100	500	1.0	1.5	2RH2500-8
2RH2700L-8	2RH2700M-8	2700±20%	3800	2.5	2.5	300*	1000	1.0	1.5	2RH2700-8
2RH3000L-8	2RH3000M-8	3000±20%	4200	2.5	2.5	100	1000	1.0	1.5	2RH3000-8
2RH3500L-8	2RH3500M-8	3500±20%	5000	2.5	2.5	100	1000	1.0	1.5	2RH3500-8
2RK2700L-8	2RK2700M-8	2700±20%	3800	3.0	3.0	300*	1000	1.0	1.5	2RK2700-8
2RK3000L-8	2RK3000M-8	3000±20%	4200	3.0	3.0	300*	1000	1.0	1.5	2RK3000-8
2RK3500L-8	2RK3500M-8	3500±20%	5000	3.0	3.0	100	1000	1.0	1.5	2RK3500-8
2RK4000L-8	2RK4000M-8	4000±20%	5500	3.0	3.0	100	1000	1.0	1.5	2RK4000-8
2RK5000L-8	2RK5000M-8	5000±20%	6400	3.0	3.0	100	1000	1.0	1.5	2RK5000-8
2RK6000L-8	2RK6000M-8	6000±20%	7800	3.0	3.0	100	1000	1.0	1.5	2RK6000-8

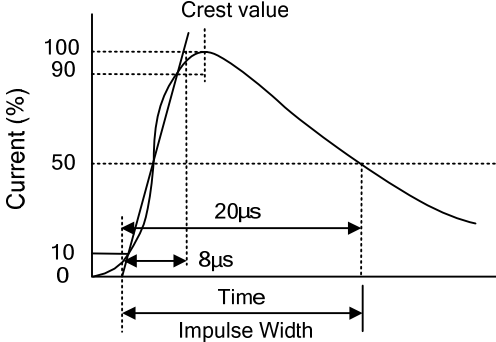
* Measured with an 8/20µs waveform, 100A

Electrical Characteristics

Part Number		DC Spark-over Voltage	Maximum Impulse Spark-over Voltage	Nominal Impulse Discharge Current	Alternating Discharge Current	Impulse Life	Minimum Insulation Resistance		Maximum Capacitance	Device Marking Code
		100V/s	1000V/ μ s	8/20 μ s 10times	50Hz, 1sec	10/1000 μ s 100A	Test Voltage	(G Ω)	1MHz	
		(V)	(V)	(KA)	(A)	(times)	DC(V)		(pF)	
2RL1000L-8	2RL1000M-8	1000 \pm 20%	1400	5.0	5.0	100	500	1.0	1.5	2RL1000-8
2RL1400L-8	2RL1400M-8	1400 \pm 20%	2200	5.0	5.0	100	500	1.0	1.5	2RL1400-8
2RL1600L-8	2RL1600M-8	1600 \pm 20%	2400	5.0	5.0	100	500	1.0	1.5	2RL1600-8
2RL2000L-8	2RL2000M-8	2000 \pm 20%	2800	5.0	5.0	100	500	1.0	1.5	2RL2000-8
2RL2500L-8	2RL2500M-8	2500 \pm 20%	3600	5.0	5.0	100	1000	1.0	1.5	2RL2500-8

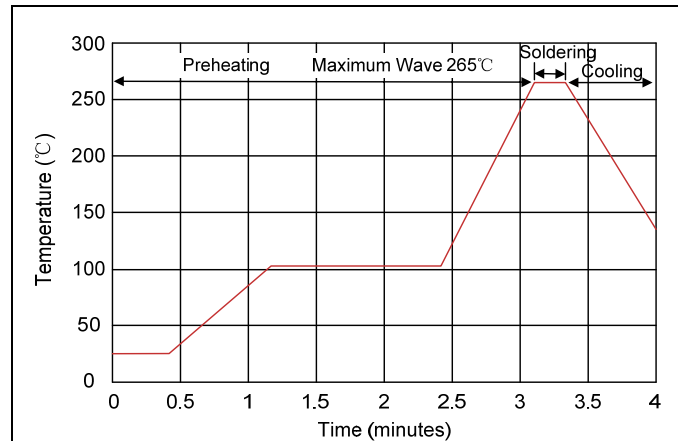
Notes: The surface for 2RXXXXXM-8 series products is default for nickel plating, please change to use tin plating if used on PCB boards while soldering, and adding the code "Sn" as suffix of the part number to distinguish.

Electrical Ratings

Items	Test Condition/Description	Requirement
DC Spark-over Voltage	The voltage is measured with voltage ramp $dv/dt=100V/s$.	To meet the specified value
Maximum Impulse Spark-over Voltage	The maximum impulse spark-over voltage is measured with voltage ramp $dv/dt=1000V/\mu s$.	
Impulse Discharge Current	Maximum 8/20 μs surge current that can be applied between two electrodes, 5 positive and 5 negative surges, with 3 minutes interval time, without causing the DC spark-over voltage to change more than 25% from its initial value. 	
Alternating Discharge Current	Rated RMS value of AC current at 50Hz, 1 sec. for 10 times with interval time 3 min. DC spark-over voltage shall not change more than $\pm 25\%$ from its initial value. $IR > 10^8$ ohms (-20%, +30% for 70~90V).	
Insulation Resistance	The resistance of gas tube shall be measured between two electrodes.	
Capacitance	The capacitance of gas tube shall be measured between two electrodes. Test frequency: 1MHz	

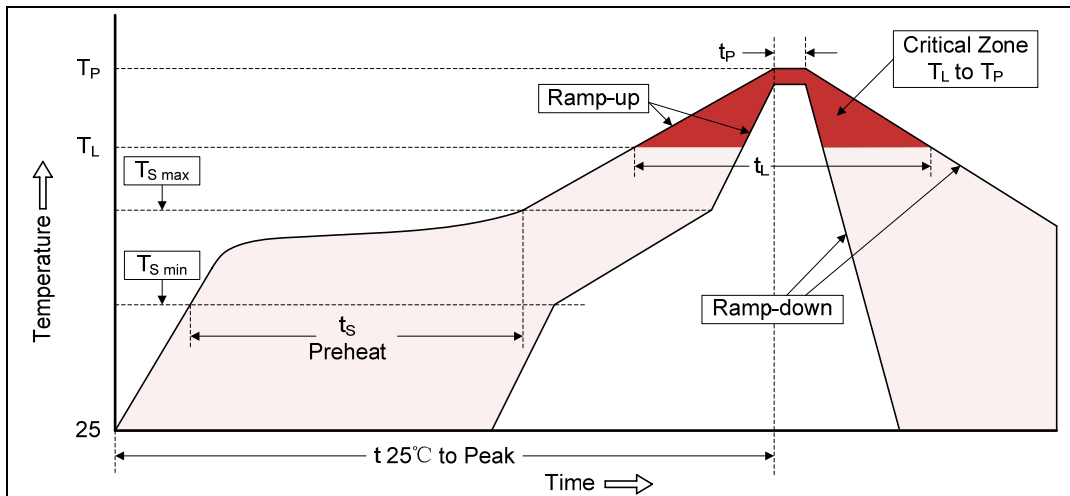
Recommended Soldering Conditions

Wave Soldering



Item	Conditions
Peak Temperature	265°C
Dipping Time	10 seconds
Soldering	1 time

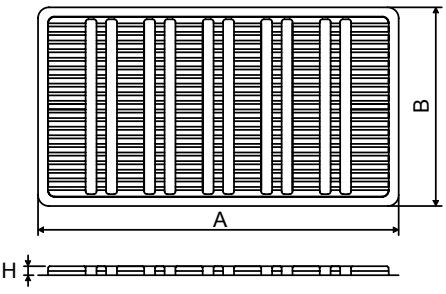
Reflow Soldering



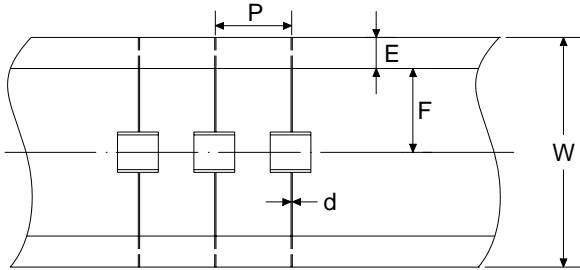
Profile Feature	Pb-Free Assembly
Average ramp-up rate (TL to TP)	3°C/second max.
Preheat	
-Temperature Min (TS min)	150°C
-Temperature Max (TS max)	200°C
-Time (min to max) (ts)	60-180 seconds
TS max to TL	
-Ramp-up Rate	3°C/second max.
Time maintained above:	
-Temperature (TL)	217°C
-Time (tL)	60-150 seconds
Peak Temperature (TP)	260°C
Time within 5°C of actual Peak Temperature (tp)	20-40 seconds
Ramp-down Rate	6°C/second max.
Time 25°C to Peak Temperature	8 minutes max.

Packaging

Axial Packing (Bulk)

Skin packing	Symbol	Dimension (mm)	
		Spec.	Tolerance
	A	264.0	±1.0
	B	145.0	±1.0
	H	6.5	±0.5
	Quantity: 100pcs		
Inner box	Symbol	Dimension (mm)	
		Spec.	Tolerance
	A0	270.0	±2.0
	B0	150.0	±1.0
H0	50.0	±1.0	
Quantity: 500pcs			

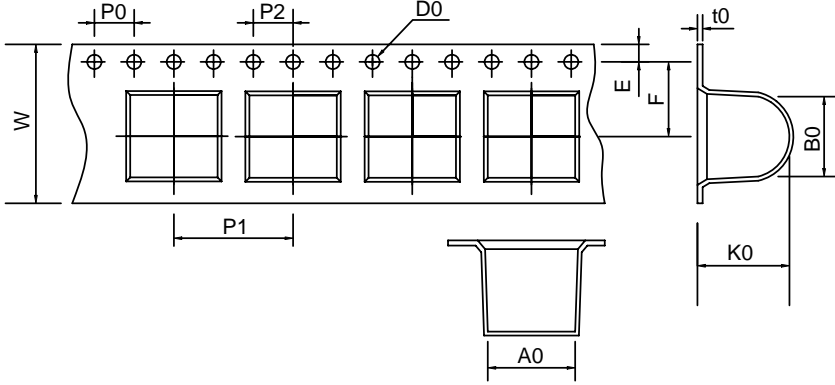
Axial Packing (Tape & Reel)

Tape	Symbol	Dimension (mm)	
		Spec.	Tolerance
	P	10.0	±0.1
	W	65.0	±0.1
	E	6.0	±0.1
	F	26.5	±0.1
	d	0.8/1.0	±0.05
	Quantity: 500pcs		
Reel	Symbol	Dimension (mm)	
		Spec.	Tolerance
	A1	330.0	±1.0
	B1	70.0	±1.0
	C1	82.0	±1.0
	D	25.0	±0.2
t	2.0	±0.2	
Quantity: 500pcs			

Packaging

SMD Packing (Tape & Reel)

Tape



Symbol	Dimension (mm)	
	Spec.	Tolerance
W	16.00	±0.20
P0	4.00	±0.10
P1	12.00	±0.20
P2	4.00	±0.10
D0	1.45	±0.1
E	1.75	±0.10
F	7.50	±0.10
A0	8.80	±0.10
K0	8.30	±0.10
B0	8.30	±0.10
t0	0.50	±0.10
D	330.00	±1.00
d	13.00	±0.50
L	20.00	±0.50
t	2.00	±0.20
Quantity: 500pcs		

Reel

